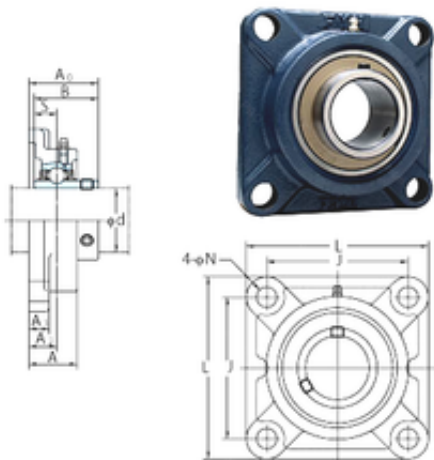




PRECISÃO AXLE CORP

FYH UCFX10 Unidades de rolamento



Bearing No. UCFX10

Bore Diameter	50 mm
d	50 mm
A0	59,4 mm
A	44 mm
A1	20 mm
B	55,6 mm
J	130 mm
L	162 mm
N	19 mm
S	22,2 mm
Bolt (G)	M16
A2	26 mm
Weight	3,7 Kg
Basic dynamic load rating (C)	43,4 kN
Basic static load rating (C0)	29,4 kN
Category	Bearings
Inventory	0.0
Manufacturer Name	FYH BEARING UNITS
Minimum Buy Quantity	N/A
Weight / Kilogram	0
Product Group	M06110

UCFX10 Bearing 2D drawings and 3D CAD models