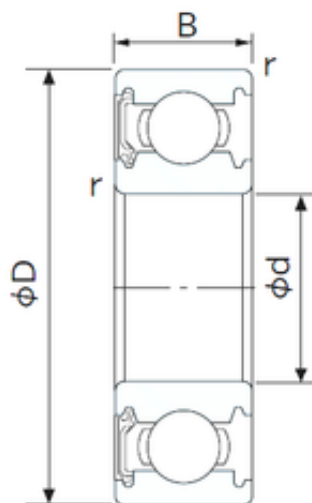




PRECISÃO AXLE CORP



75 mm x 115 mm x 20 mm NACHI 6015NSE Rolamentos de esferas profundas

Bearing No. 6015NSE

Size	75x115x20 mm
Bore Diameter	75 mm
Outer Diameter	115 mm
Width	20 mm
d	75 mm
D	115 mm
B	20 mm
C	20 mm
r min.	1.1 mm
da min.	81 mm
Da max.	109 mm
ra max.	1.0 mm
Weight	0.645 Kg
Basic dynamic load rating (C)	39,5 kN
Basic static load rating (C0)	33,5 kN
(Grease) Lubrication Speed	3300 r/min

6015NSE Bearing 2D drawings and 3D CAD models