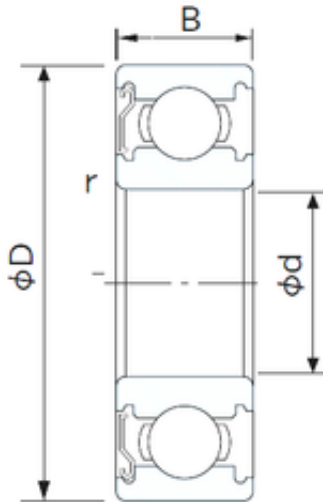




# PRECISÃO AXLE CORP



## 110 mm x 170 mm x 28 mm NACHI 6022Z Rolamentos de esferas profundas

Bearing No. 6022Z

6022Z Bearing 2D drawings and 3D CAD models

Size	110x170x28 mm
Bore Diameter	110 mm
Outer Diameter	170 mm
Width	28 mm
d	110 mm
D	170 mm
B	28 mm
C	28 mm
r min.	2 mm
da min.	118 mm
Da max.	162 mm
ra max.	2.0 mm
Weight	1.97 Kg
Basic dynamic load rating (C)	84,5 kN
Basic static load rating (C0)	73 kN
(Grease) Lubrication Speed	3800 r/min
Category	Single Row Ball Bearings
Inventory	0.0
Manufacturer Name	NACHI
Minimum Buy Quantity	N/A
Weight / Kilogram	0
Product Group	B00308
Enclosure	1 Metal Shield
Precision Class	ABEC 1   ISO P0
Maximum Capacity / Filling	No



## PRECISÃO AXLE CORP

Slot	
Rolling Element	Ball Bearing
Snap Ring	No
Internal Special Features	No
Cage Material	Steel
Internal Clearance	C0-Medium
Inch - Metric	Metric
Long Description	110MM Bore; 170MM Outside Diameter; 28MM Outer Race Width; 1 Metal Shield; Ball Bearing; ABEC 1   ISO P0; No Filling Slot; No Snap Ring; No Internal Special Features; C0-Medium Internal Clearance; Ste
Other Features	Deep Groove
Category	Single Row Ball Bearing
UNSPSC	31171504
Harmonized Tariff Code	8482.10.50.68
Noun	Bearing
Keyword String	Ball
Manufacturer URL	<a href="http://www.nachiamerica.com">http://www.nachiamerica.com</a>
Inner Race Width	0 Inch   0 Millimeter
Outside Diameter	6.693 Inch   170 Millimeter
Outer Race Width	1.102 Inch   28 Millimeter
Bore	4.331 Inch   110 Millimeter