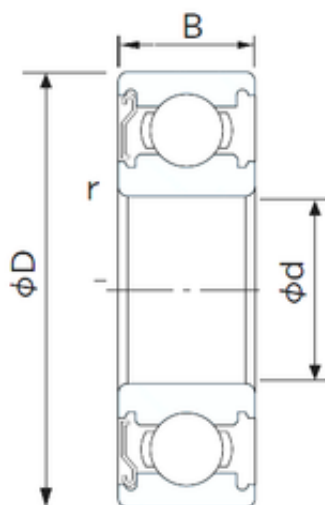




PRECISÃO AXLE CORP



85 mm x 120 mm x 18 mm NACHI 6917Z Rolamentos de esferas profundas

Bearing No. 6917Z

Size	85x120x18 mm
Bore Diameter	85 mm
Outer Diameter	120 mm
Width	18 mm
d	85 mm
D	120 mm
B	18 mm
C	18 mm
r min.	1.1 mm
da min.	91 mm
Da max.	113 mm
ra max.	1.0 mm
Weight	0.517 Kg
Basic dynamic load rating (C)	32 kN
Basic static load rating (C0)	29,6 kN
(Grease) Lubrication Speed	5200 r/min

6917Z Bearing 2D drawings and 3D CAD models