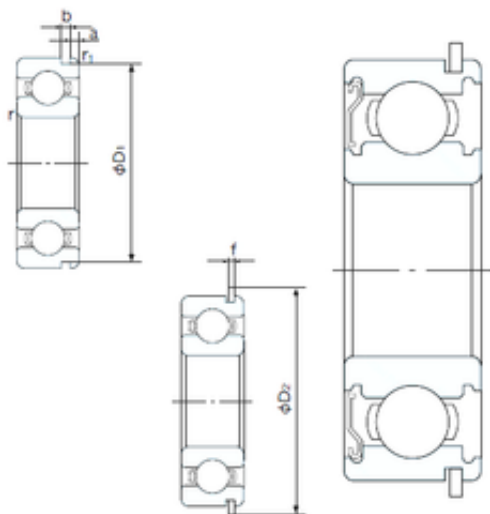




PRECISÃO AXLE CORP



10 mm x 22 mm x 6 mm NACHI 6900ZENR Rolamentos de esferas profundas

Bearing No. 6900ZENR

6900ZENR Bearing 2D drawings and 3D CAD models

Size	10x22x6 mm
Bore Diameter	10 mm
Outer Diameter	22 mm
Width	6 mm
d	10 mm
D	22 mm
B	6 mm
C	6 mm
a	1.05 mm
b	0.8 mm
f	0.7 mm
r min.	0.3 mm
r1 min.	0.3 mm
D1	20.8 mm
D2	24.8 mm
Weight	0.010 Kg
Basic dynamic load rating (C)	2,49 kN
Basic static load rating (C0)	1,13 kN
(Grease) Lubrication Speed	33000 r/min
Enclosure	Single Shield with Snap Ring
Bore Type	Cylindrical Bore
Configuration	Single Row
Bore Size	10 mm
Outside Diameter	22 mm
Width	6 mm



PRECISÃO AXLE CORP

Fillet Radius/Chamfer	0.3 mm
r1	0.3 mm
Snap Ring Width	0.7 mm
Snap Ring Outside Diameter	24.8 mm
D1 (max)	20.8 mm
a (max)	1.1 mm
b (min)	0.8 mm
Dynamic Load Rating	2,490 N
Static Load Rating	1,130 N
Limiting Speed - Grease	33,000 rpm
Limiting Speed - Oil	38,000 rpm
Factor fo	14.0
Radial Clearance	0.002 to 0.013 mm
da (min)	12 mm
Da (max)	20 mm
Dx (min)	25.5 mm
ra (max)	0.3 mm
Cy (max)	1.5 mm