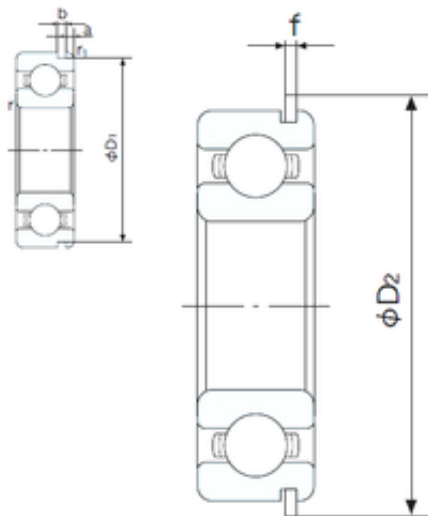




PRECISÃO AXLE CORP



30 mm x 72 mm x 19 mm NACHI 6306NR Rolamentos de esferas profundas

Bearing No. 6306NR

Size	30x72x19 mm
Bore Diameter	30 mm
Outer Diameter	72 mm
Width	19 mm
d	30 mm
D	72 mm
B	19 mm
C	19 mm
a	3.28 mm
b	1.9 mm
f	1.7 mm
r min.	1.1 mm
r1 min.	0.5 mm
D1	68.81 mm
D2	78.6 mm
Weight	0.346 Kg
Basic dynamic load rating (C)	26,7 kN
Basic static load rating (C0)	15 kN
(Grease) Lubrication Speed	9200 r/min
Category	Ball Bearings
Inventory	2.0
Manufacturer Name	NACHI
Minimum Buy Quantity	N/A
UNSPSC	31171504
Weight / Kilogram	0.345

6306NR Bearing 2D drawings and 3D CAD models



PRECISÃO AXLE CORP

Product Group	B00308
Bore Type	Cylindrical Bore
Configuration	Single Row
Enclosure	Snap Ring Groove with Snap Ring
Bore Size	30 mm
Outside Diameter	72 mm
Width	19 mm
Fillet Radius/Chamfer	1.1 mm
r1	0.5 mm
Snap Ring Width	1.7 mm
Snap Ring Outside Diameter	78.6 mm
D1 (max)	68.8 mm
a (max)	3.3 mm
b (min)	1.9 mm
Dynamic Load Rating	26,700 N
Static Load Rating	15,000 N
Limiting Speed - Grease	10,000 rpm
Limiting Speed - Oil	12,000 rpm
Factor fo	13.2
Radial Clearance	0.005 to 0.020 mm
da (min)	37 mm
Da (max)	65 mm
Dx (min)	80 mm
ra (max)	1 mm
Cy (max)	4.6 mm