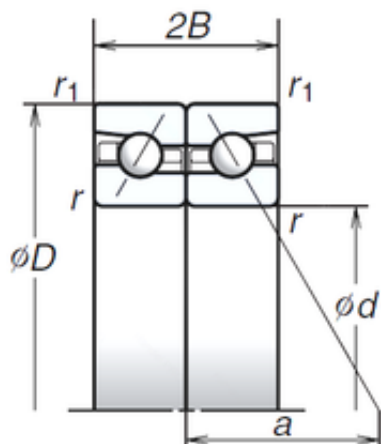




PRECISÃO AXLE CORP

200 mm x 310 mm x 49,5 mm NSK 200BAR10S
Rolamentos de esferas de contacto angular



Bearing No. 200BAR10S

Size	200x310x49.5 mm
Bore Diameter	200 mm
Outer Diameter	310 mm
Width	49,5 mm
d	200 mm
D	310 mm
B	49,5 mm
C	49,5 mm
Angle (°)	30 °
a	98,3 mm
r min.	2,1 mm
r1 min.	1,1 mm
2B	99 mm
Weight	13,8 Kg
Basic dynamic load rating (C)	169 kN
Basic static load rating (C0)	444 kN
(Grease) Lubrication Speed	3 000 r/min
(Oil) Lubrication Speed	3 800 r/min

200BAR10S Bearing 2D drawings and 3D CAD models